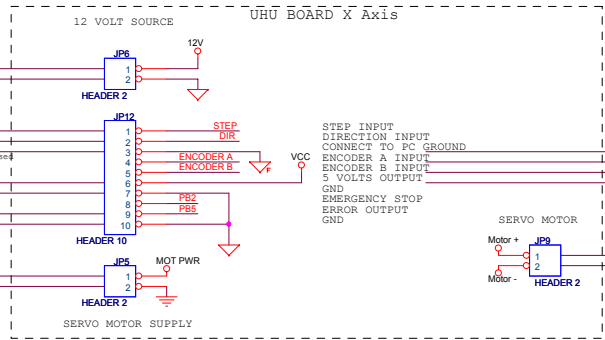


Note: only one 5volt supply needed from UHU board
Connect pin 3 to ground non optboard used



You will need to find the encoder pinouts for your model
It will usually require 2 outputs a ground and a 5volt supply