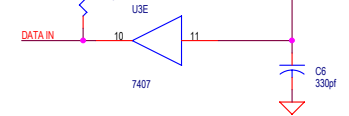
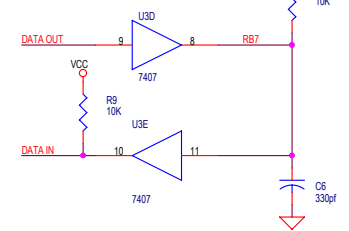
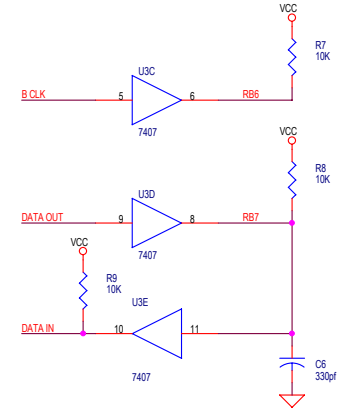
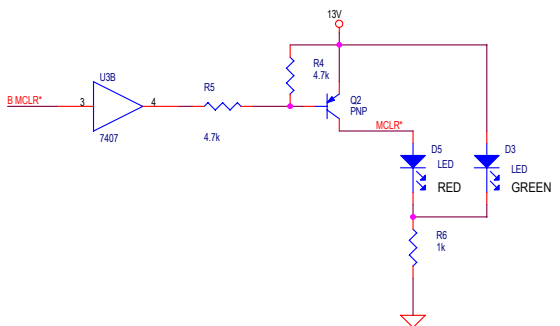
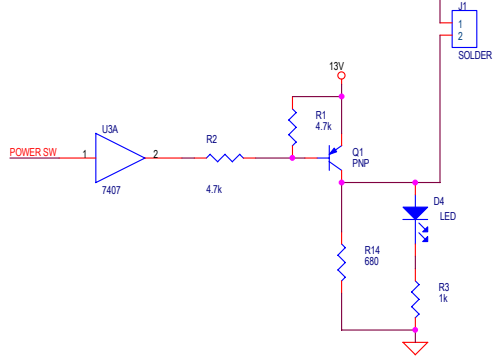
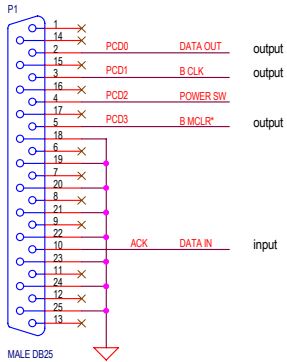
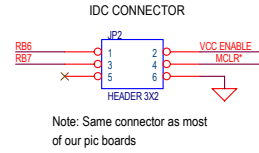
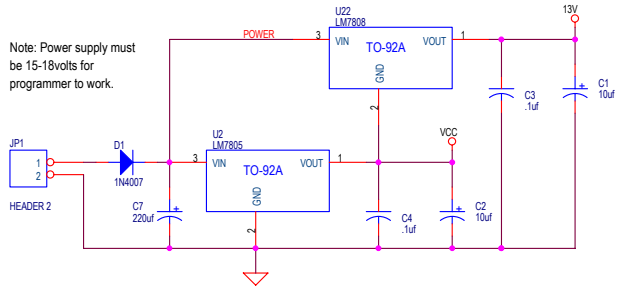


Pic Programmer

Note: Power supply must be 15-18volts for programmer to work.



Embedded Acquisition Systems
 2571 Cobden Dr.
 Sterling Heights, MI 48310
 WEB <http://www.embeddedtronics.com>
 EMAIL sales@embeddedtronics.com
 Copyright 2002

Title: EAS PICMEE Programmer		
Size: 8	Document Number: PIC PROGRAMMER BOARD	Rev: 1
Date: Wednesday, June 18, 2003	Sheet 1 of 1	