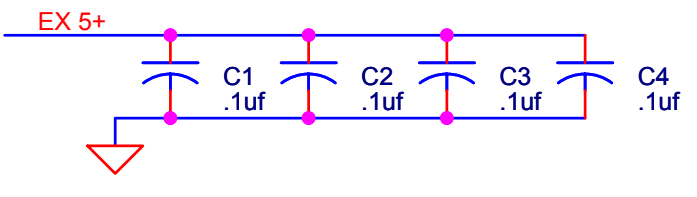
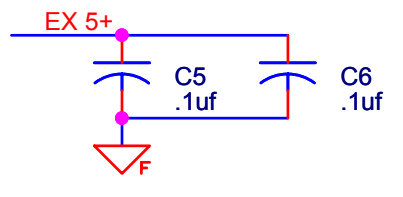
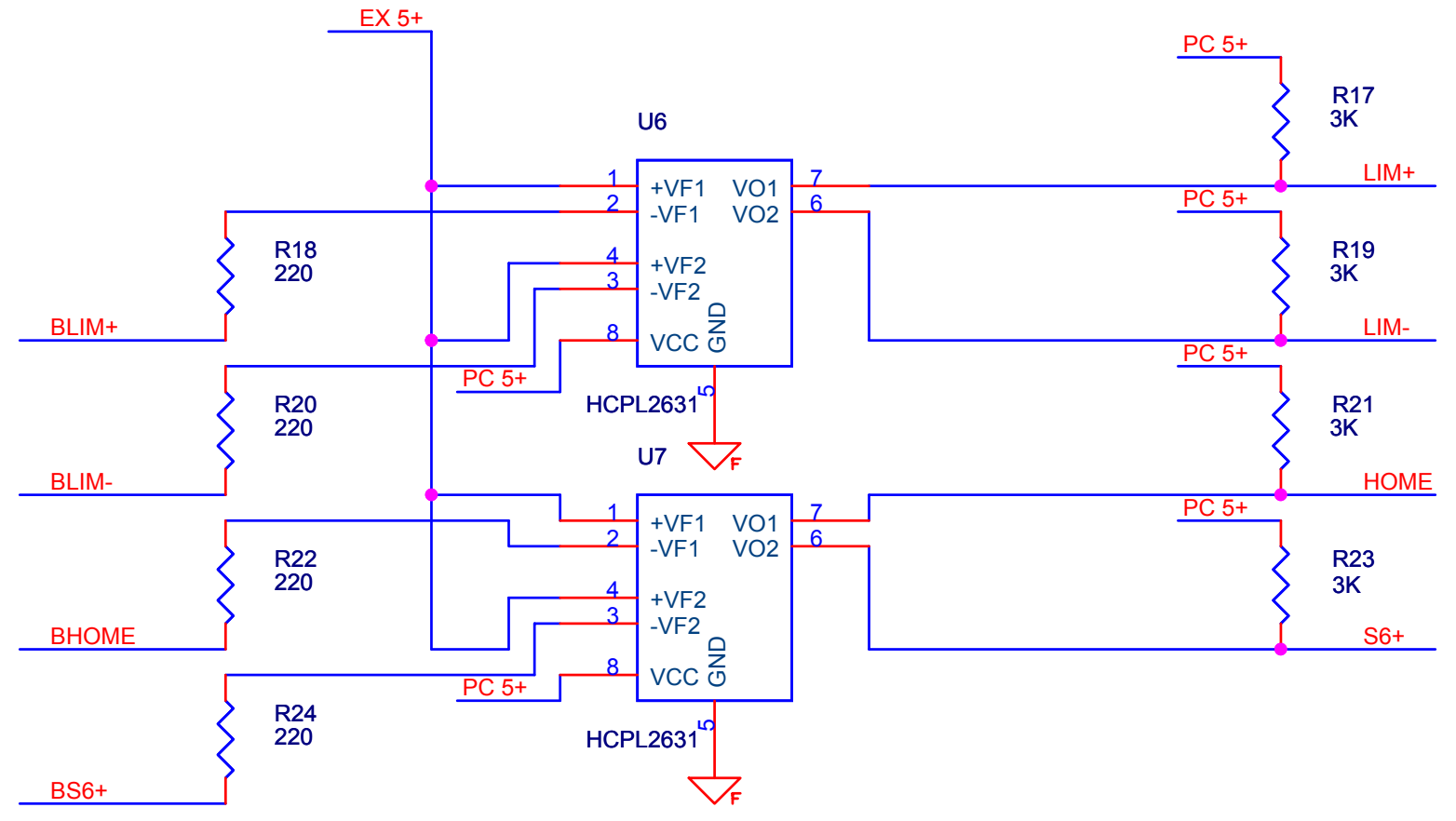
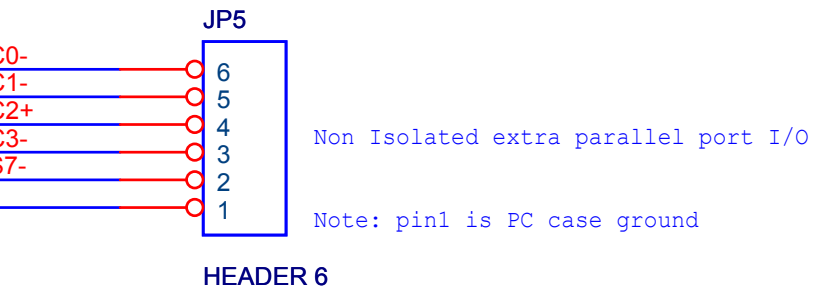
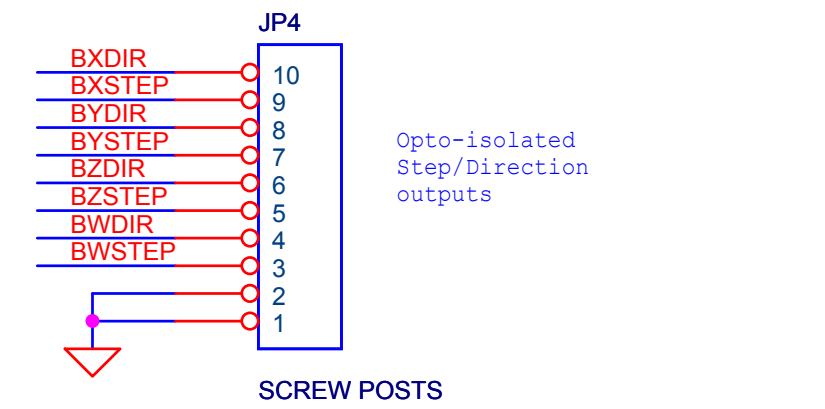
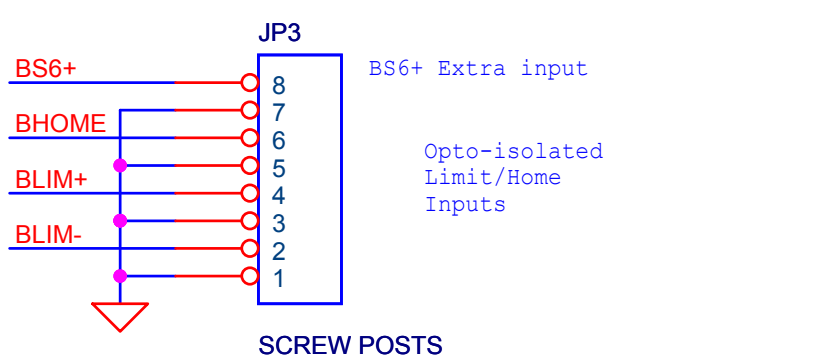
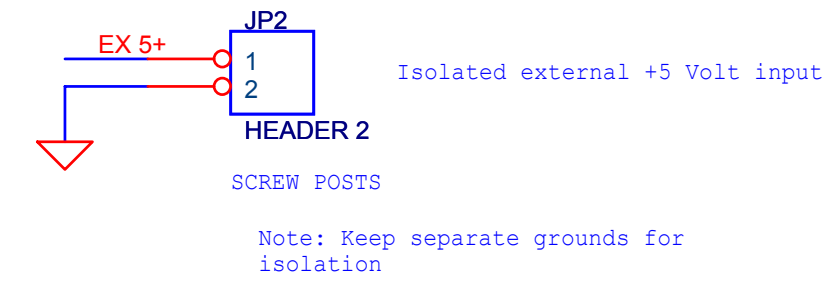
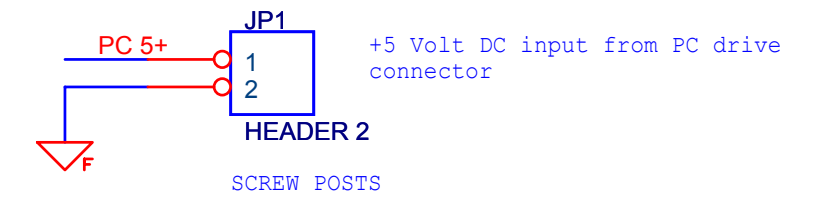
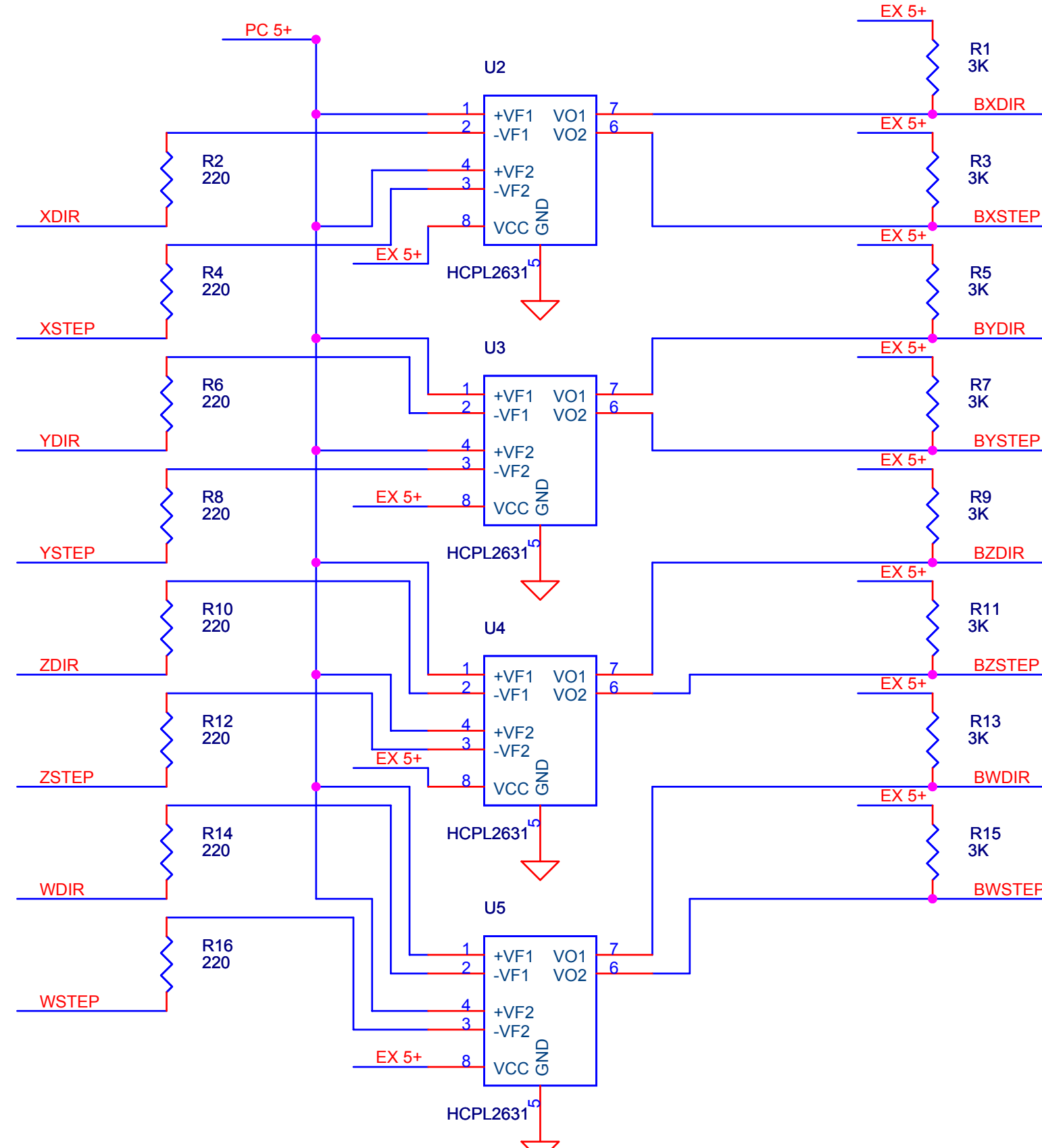


OLD PRINTER REFERENCE NOTES:

- => OUT C0- Set Low pulse > 0.5 us to send
- => OUT C1- Set Low to autofeed one line
- => OUT
- <= IN S3+ Low for Error/Offline/PaperEnd
- => OUT -Init C2+ Set Low pulse > 50uS to init
- => OUT C3- Set Low to select printer
- => OUT
- => OUT
- => OUT
- => OUT
- => OUT
- <= IN S6+ IRQ Low Pulse ~ 5 uS, after accept
- <= IN S7- High for Busy/Offline/Error
- <= IN S5+ High for out of paper
- <= IN S4+ High for printer selected



Embedded Acquisition Systems
 2571 Cobden Dr.
 Sterling Heights, MI 48310
 WEB <http://www.embeddedtronics.com>
 EMAIL sales@embeddedtronics.com
 Copyright 2006

Title		
Opto Breakout Board		
Size	Document Number	Rev
B	Opto Breakout	E
Date:	Wednesday, September 06, 2006	Sheet 1 of 1