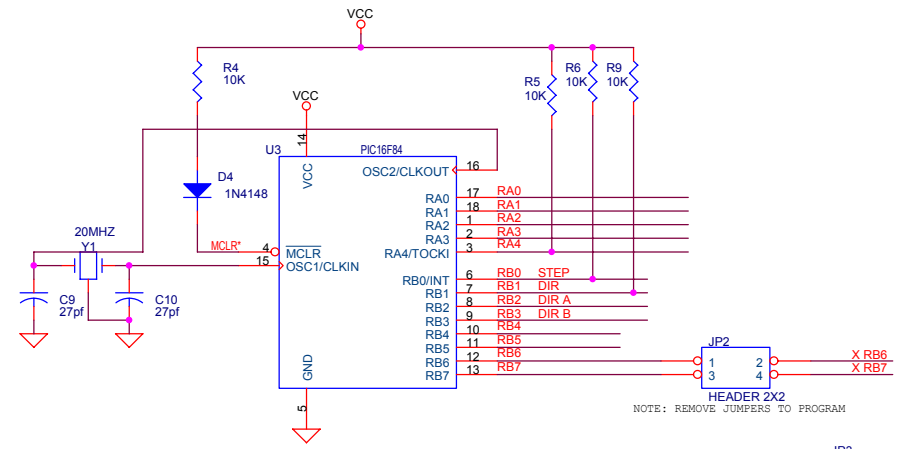
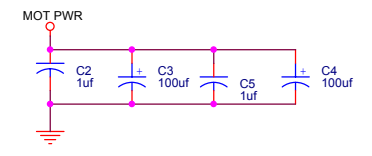
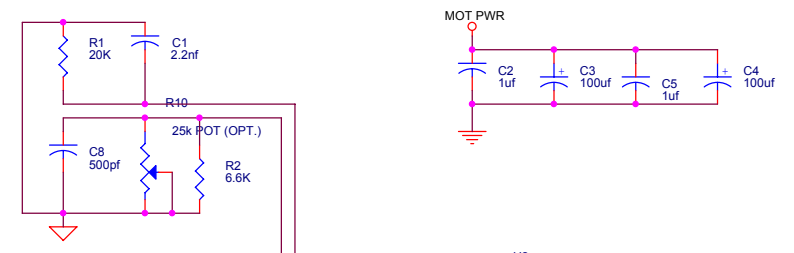
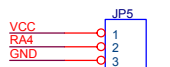


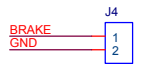
**SOLDER**  
Solder to run off  
MOT PWR supply



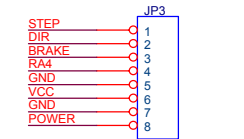
NOTE: REMOVE JUMPERS TO PROGRAM



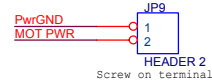
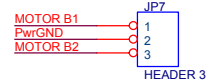
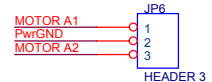
Half/Full Step



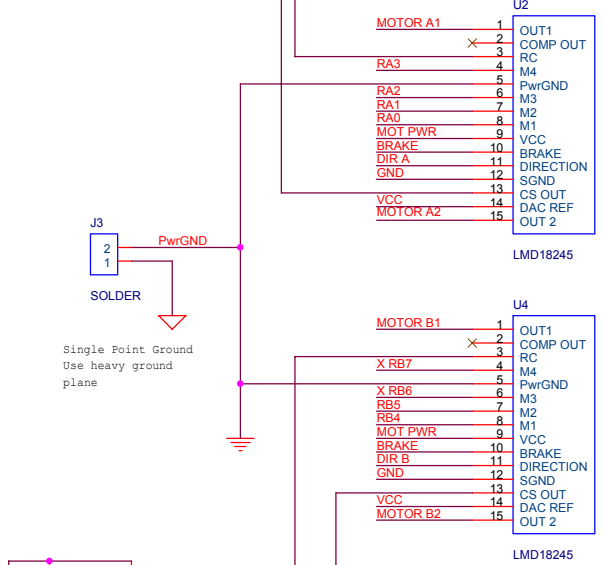
SOLDER  
Solder to turn off braking



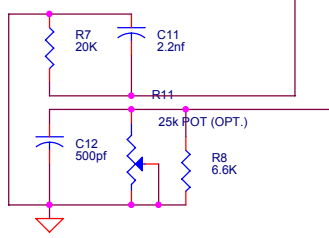
Screw on terminal posts



Screw on terminal posts



Single Point Ground  
Use heavy ground plane



CS OUT current sense resistor  
(Vref x D/16) / (250e-6 x R) = A

R=10K 2amps  
R=6.6K 3amps  
1/4 watt  
For variable output remove resistor  
R8 and R2 and use pots R10 and R11

Embedded Acquisition Systems  
2571 Cobden Dr.  
Sterling Heights, MI 48310  
WEB <http://www.embeddedtronics.com>  
EMAIL [sales@embeddedtronics.com](mailto:sales@embeddedtronics.com)  
Copyright 2003

Title		
PIC16F84 LMD18245 Bipolar Micro Stepper Driver		
Size	Document Number	Rev
B		5
Date:	Thursday, July 17, 2003	Sheet 1 of 1