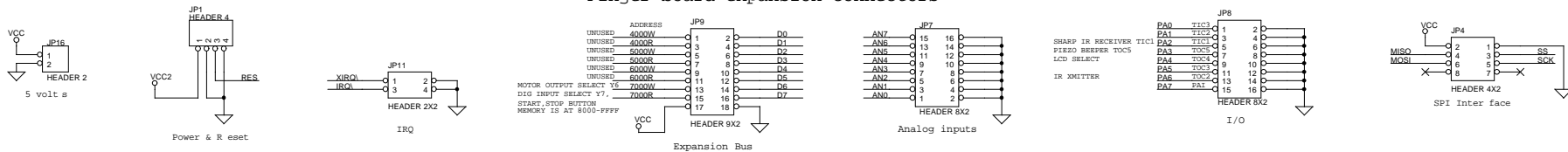
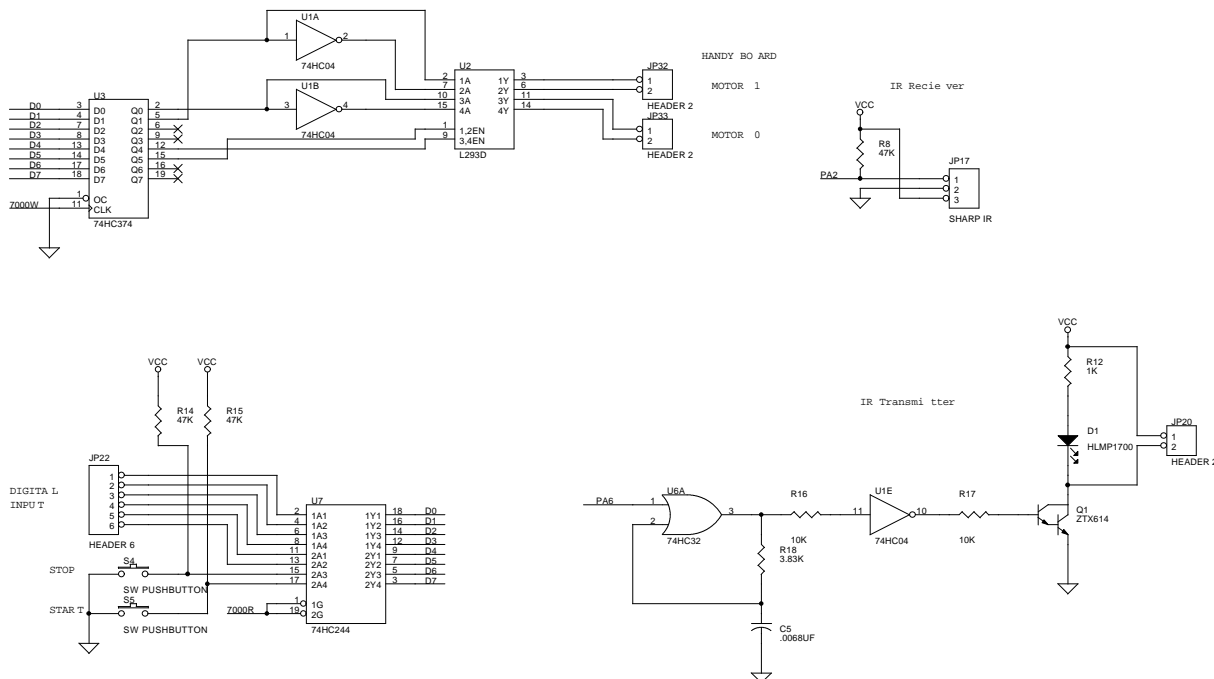


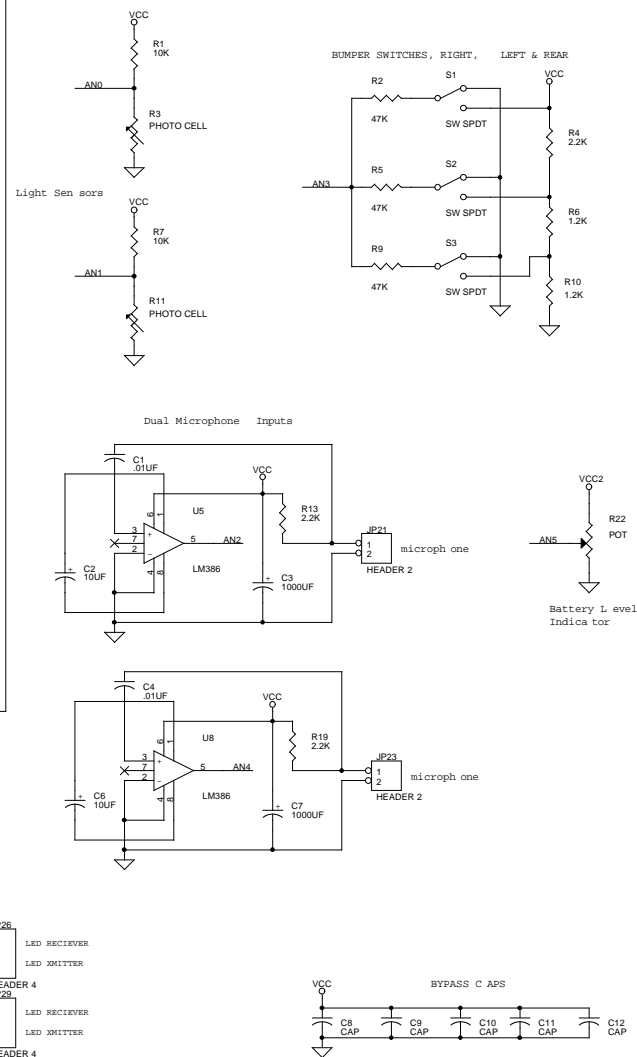
### Finger board expansion connectors



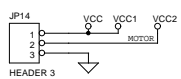
### Missing Handy board circuits



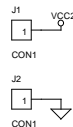
### Additional circuits, some from Rug Warrior



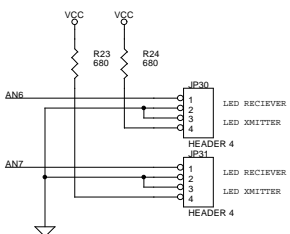
### Main Power Connector



### Recharge pins

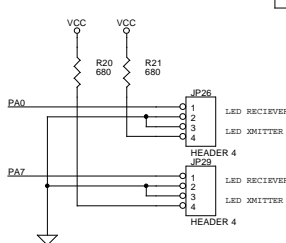


### Photo Line Sensor



PA0 is used by servos

### Wheel Sensor



Title		EAS FINGERBOARD ROBOT INTERFACE
Size	C	Document Number
EAS FINGERBOARD 2		Rev
Date		Monday, November 10, 1997
Eras		1 of 1